

## Nexus Voice Sounder (DC)

Nexus voice sounders combine normal sounder signals with a clear, synchronised voice message to help reduce confusion and distress during an active alarm.

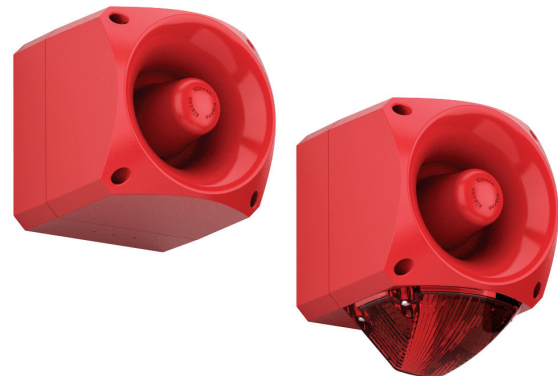
Standard units are available with up to 7 pre-programmed messages. Alternative messages can be selected from an extensive message library covering almost any conceivable application. Customised messages are also available on request.

All Nexus voice sounders have a USB port that allows special messages in WAV format to be downloaded onto the sounder from any PC, providing users with the flexibility of adding/removing messages in-field.

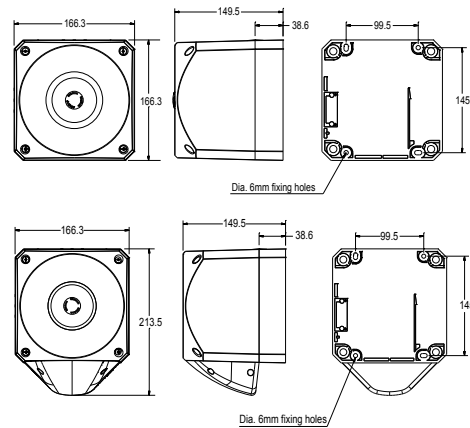
Combined with an LED or Xenon beacon the Nexus sounder can form part of a DDA compliant system giving a clear voice message, powerful alarm tone and high output beacon for clear and effective warning.

### Features

- Choice of up to 7 messages via three volt free contacts
- Extensive message library or bespoke messages available
- Download messages in-field via built in USB port
- Max 116dB (A) tone and 90dB (A) message outputs
- Automatic synchronisation
- Robust construction; IP66 rated for outdoor environments
- Volume control - 20dB
- Separate connections for sounder & beacon



**Applications** - Fire alarm, Industrial alarm, Process control alarm



### Specifications

Part No.	Lens Colour	Beacon Type	Audibility at 1m	Tones (Up to)	Voltage	Sounder Current	Beacon Current	Messages
PNV-0001	-	Sounder only	116dB (A)	64	24V DC	30mA (max)	-	7
PNV-0006	Red lens	LED beacon	Up to 116dB (A)	64	24V DC	30mA (max)	18mA/65mA**	7
PNV-0007	Amber lens	LED beacon	Up to 116dB (A)	64	24V DC	30mA (max)	18mA/65mA**	7
PNV-0008	Green lens	LED beacon	Up to 116dB (A)	64	24V DC	30mA (max)	18mA/65mA**	7
PNV-0009	Blue lens	LED beacon	Up to 116dB (A)	64	24V DC	30mA (max)	18mA/65mA**	7
PNV-0010	Clear lens	LED beacon	Up to 116dB (A)	64	24V DC	30mA (max)	18mA/65mA**	7
PNV-0011	Red lens	Xenon beacon	Up to 116dB (A)	64	24V DC	30mA (max)	330mA@24V DC	7
PNV-0012	Amber lens	Xenon beacon	Up to 116dB (A)	64	24V DC	30mA (max)	330mA@24V DC	7
PNV-0013	Green lens	Xenon beacon	Up to 116dB (A)	64	24V DC	30mA (max)	330mA@24V DC	7
PNV-0014	Blue lens	Xenon beacon	Up to 116dB (A)	64	24V DC	30mA (max)	330mA@24V DC	7
PNV-0015	Clear lens	Xenon beacon	Up to 116dB (A)	64	24V DC	30mA (max)	330mA@24V DC	7

\*\* Flashing/Static current consumption figures.

IP Rating: IP66 Operating Temp: -25°C to +70°C Cable Entries: 5

Weight: Sounder 1.1kg; Sounder Beacon 1.2kg